

PUBLIC SERVICE AND LEGAL

*Ham-Radio-General-License
Ham Radio General License Certification Exam*

- **Up to Date products, reliable and verified.**
- **Questions and Answers in PDF Format.**

Full Version Features:

- **90 Days Free Updates**
- **30 Days Money Back Guarantee**
- **Instant Download Once Purchased**
- **24 Hours Live Chat Support**

For More Information:

<https://www.testsexpert.com/>

- **Product Version**

Latest Version: 6.0

Question: 1

On which of the following frequencies are General class licensees prohibited from operating as control operator?

- A. 7.125 MHz to 7.175 MHz
- B. 28.000 MHz to 28.025 MHz
- C. 21.275 MHz to 21.300 MHz
- D. All of the above

Answer: A

Explanation:

General class licensees prohibited from operating as control operator on the 7.125 MHz to 7.175 MHz frequencies. [97.301(d)]

Question: 2

Which of the following one-way transmissions are permitted?

- A. Unidentified test transmissions of less than 10 seconds in duration
- B. Transmissions to assist with learning the International Morse code
- C. Regular transmissions offering equipment for sale, if intended for amateur radio use
- D. All these choices are correct

Answer: B

Explanation:

One-way transmissions necessary to assist learning the International Morse code are permitted.

Question: 3

What is the limit for transmitter power on the 28 MHz band for a General Class control operator?

- A. 100 watts PEP output
- B. 1000 watts PEP output
- C. 1500 watts PEP output
- D. 2000 watts PEP output

Answer: C

Explanation:

On the 28 MHz band, the limitation on transmitter power is 1500 watts PEP output. [97.313]

Question: 4

When operating a US station by remote control from outside the country, what license is required of the control operator?

- A. A US operator/primary station license
- B. Only an appropriate US operator/primary license and a special remote station permit from the FCC
- C. Only a license from the foreign country, as long as the call sign includes identification of portable operation in the US
- D. A license from the foreign country and a special remote station permit from the FCC

Answer: A

Explanation:

A US operator/primary station license is required when operating a US station by remote control from outside the country. [97.7]

Question: 5

What are the restrictions on messages sent to a third party in a country with which there is a Third-Party Agreement?

- A. They must relate to emergencies or disaster relief
- B. They must be for other licensed amateurs
- C. They must relate to amateur radio, or remarks of a personal character, or messages relating to emergencies or disaster relief
- D. The message must be limited to no longer than 1 minute in duration and the name of the third party must be recorded in the station log

Answer: C

Explanation:

Messages sent to a third party in a country with which there is a Third-Party Agreement must relate to amateur radio, or remarks of a personal character, or messages relating to emergencies or disaster relief. [97.115(a)(2), 97.117]

Question: 6

Which mode of voice communication is most commonly used on the HF amateur bands?

- A. Frequency modulation

- B. Double sideband
- C. Single sideband
- D. Single phase modulation

Answer: C

Explanation:

The single-sideband mode of voice communication is most commonly used on the high frequency amateur bands. This is more because of convention than for any technical reasons.

Question: 7

When selecting an SSB transmitting frequency, what minimum separation should be used to minimize interference to stations on adjacent frequencies?

- A. 5 Hz to 50 Hz
- B. 150 Hz
- C. 2kHz to 3kHz
- D. Approximately 6 kHz

Answer: C

Explanation:

When selecting an SSB transmitting frequency, 2-3 kHz of separation should be used to minimize interference to stations on adjacent frequencies.

Question: 8

What is the best speed to use when answering a CQ in Morse code?

- A. The fastest speed at which you are comfortable copying, but no slower than the CQ
- B. The fastest speed at which you are comfortable copying, but no faster than the CQ
- C. At the standard calling speed of 10 wpm
- D. At the standard calling speed of 5 wpm

Answer: B

Explanation:

The best speed to use when answering a CQ in Morse code is the fastest speed at which you are comfortable copying, but no faster than the CQ.

Question: 9

Which symbol in figure G7-1 represents a field effect transistor?

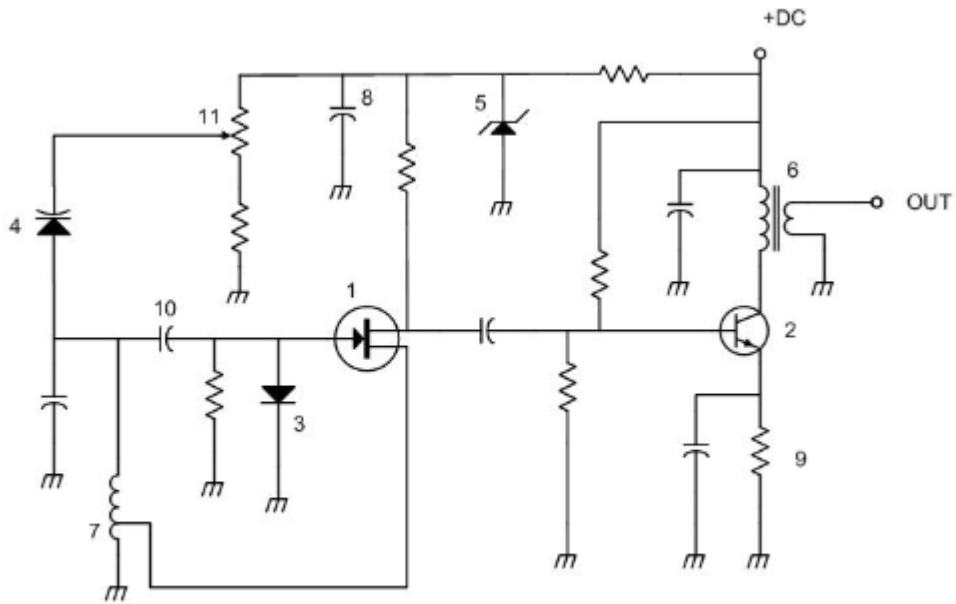


Figure G7-1

- A. Symbol 2
- B. Symbol 5
- C. Symbol 1
- D. Symbol 4

Answer: C

Explanation:
 In figure G7-1, symbol 1 represents a field effect transistor.

Question: 10

Which symbol in figure G7-1 represents a Zener diode?

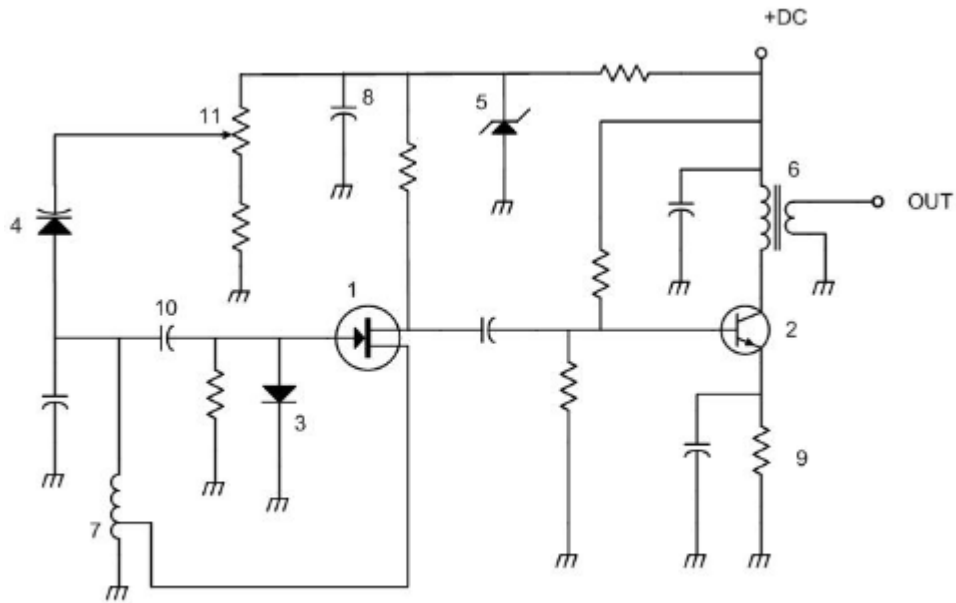


Figure G7-1

- A. Symbol 4
- B. Symbol 1
- C. Symbol 11
- D. Symbol 5

Answer: D

Explanation:

In figure G7-1, symbol 5 represents a Zener diode. A Zener diode is a semiconductor made of silicon, primarily used to regulate voltage. The positive characteristic of this diode is that it can maintain a fairly consistent voltage through a broad range of currents.

For More Information – Visit link below:
<https://www.testsexpert.com/>

16\$ Discount Coupon: **9M2GK4NW**

Features:

■ Money Back Guarantee.....



■ 100% Course Coverage.....



■ 90 Days Free Updates.....



■ Instant Email Delivery after Order.....

